



- **Gentle and constant conveying**
- **Flat, compact construction**
- **Modularly extendable**
- **Low air consumption**
- **Very low noise level**

Pneumatic driven conveying system for optimum flow control for all kinds of dry products from fine powder to cell phones.

A simple design for replacing belt conveyors in demanding hygienic productions for easy access and cleaning.

With a low build-in height it is very easy to integrate with existing production equipment.

Are widely used in all industries for hygienic and gentle conveying of all products.



# Pneumatic Conveyor System LineDrive

## Applications

The LineDrive conveyor system is suitable for gentle and horizontal conveying of bulk materials. The compact design (height of drive is 5 cm.) allows applications even with confined space constraints.

## Design & function

Traditional vibration conveyor systems work on the throwing-principle, in which the products are "thrown forward", following a trajectory parabola.

With the LineDrive conveyor principle, the material slides along the conveying trough. This is made possible by a pneumatic linear vibrator drive.

The conveyor speed can be adjusted to suit the specific characteristics of the material to be conveyed by regulating the pressure of the compressed air.

It is possible to convey greater loads by coupling more LineDrive units together.

In addition to the standard version of the LineDrive conveying system, customized version is also available.

**Mounting plates** made in aluminium is available for mounting the conveying trough to the drive unit.

**Adjustment plates** made in steel is available for mounting the whole conveying system on a frame or equipment.

## Permissible operation conditions:

### Drive medium:

Compressed air or nitrogen (filter  $\leq 5 \mu\text{m}$ ) lubricated compressed air is recommended

### Optimum operation pressure:

2 bar

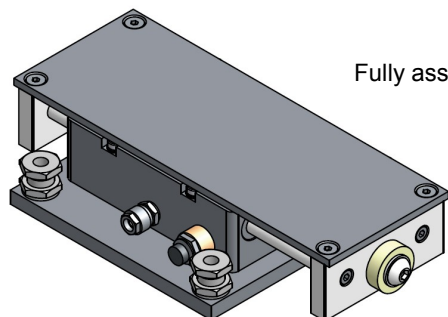
### Ambient temperature

5°C to 60°C

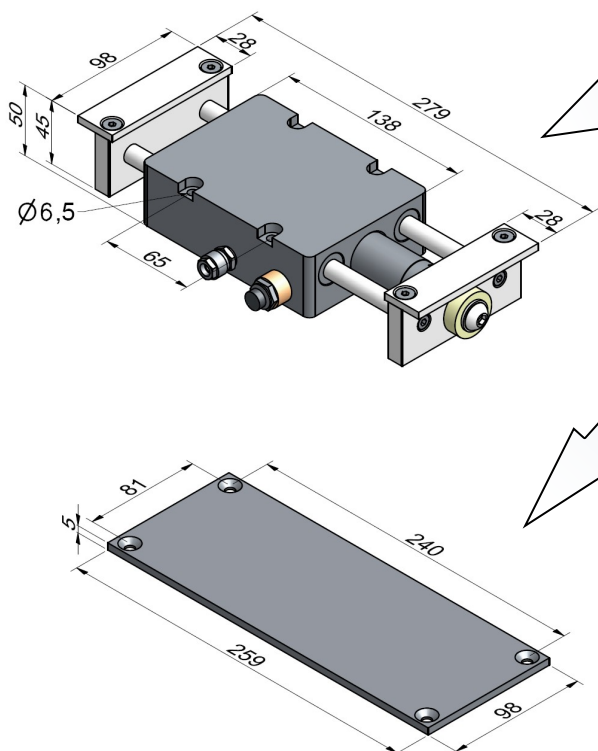
### Weight without trough:

2,7 Kg.

## Dimensions



Fully assembled LineDrive unit



Pneumatic LineDrive unit



Aluminium Mounting Plate (Optional)



Steel Adjustment Plate (Optional)

